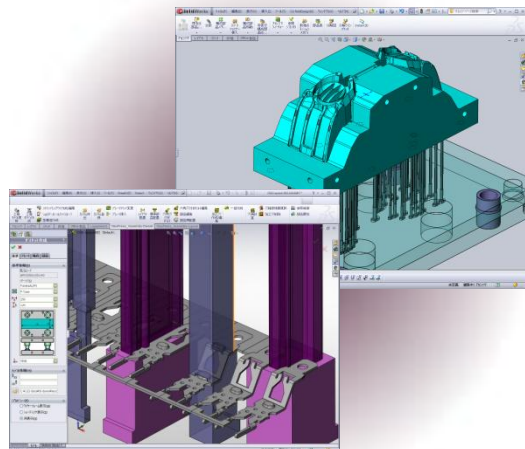


CG CAM-TOOL

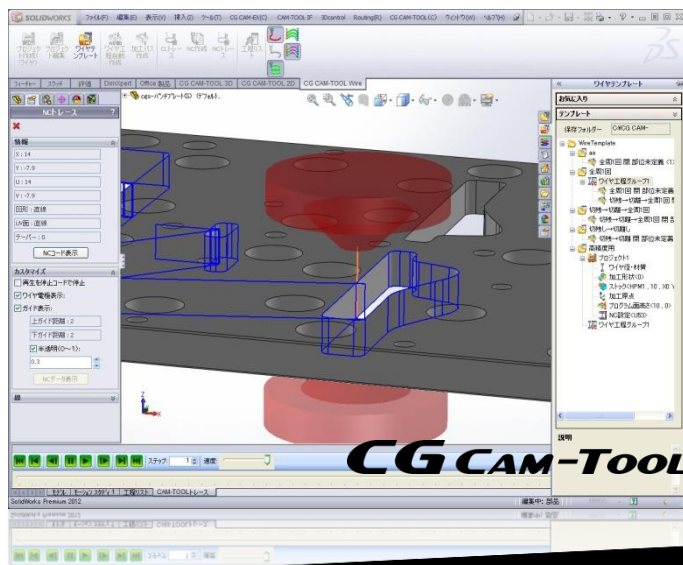
2013 Release !!

Wire Module

CG MOLD DESIGN



CG PRESS DESIGN

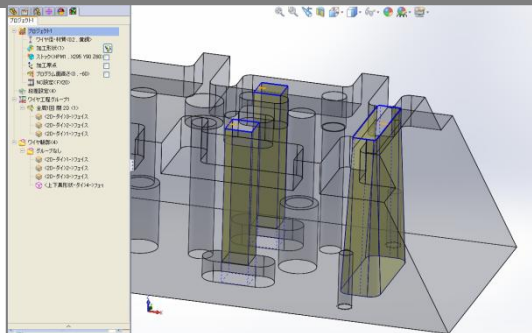


Consistent user interface from CG PressDesign/CG MoldDesign and automatically generate NC data from design drawing !!

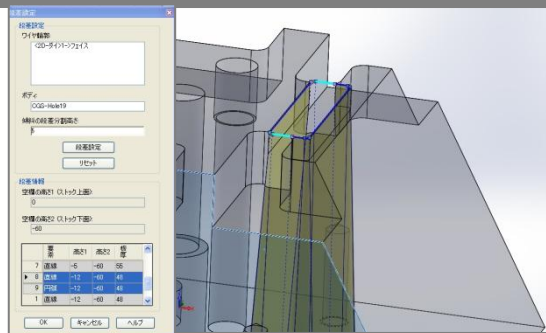


Point 1

In case there is a bump in a work piece, system recognize profile automatically, and system provide you taper cutting, 4axis cutting and so on.



Auto recognize



Bump setting

